

Baldassar

GRATINGS

FENCES

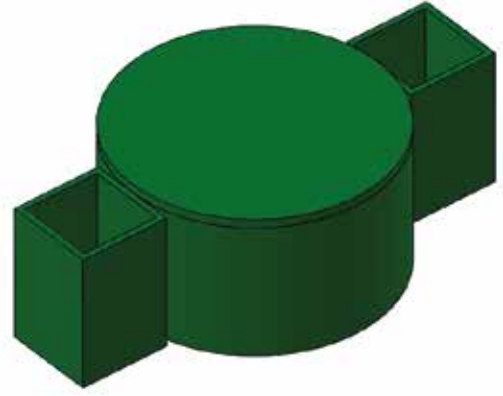
BUILDING



F A S T E N E R[®]
RING
PATENTED SYSTEM



Baldassar, a company that is constantly evolving and searching for new solutions, has devised and created the **RING®** fastener. Unique, fast and low-cost; this new type of **patented fastener** enables the **Grigliati Baldassar fencing** to be **anchored to a wooden post in a completely safe manner**. This solution is perfect for rural and natural environments, as the **environmental impact is limited**, due to not having to build concrete walls or use metal fencing footings, both of which would affect the habitat's naturalness. **Hot dip-galvanised and powder-coated** in RAL 6005; durability and quality over time is guaranteed.



EXAMPLE: using the fastener to close off a private garden

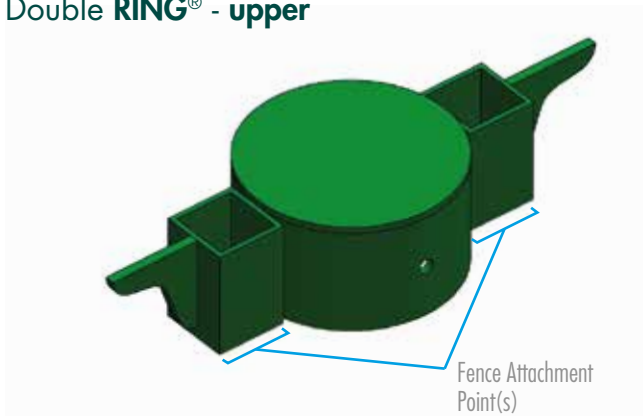


PROJECT: to secure embankment fencing near a pedestrian path

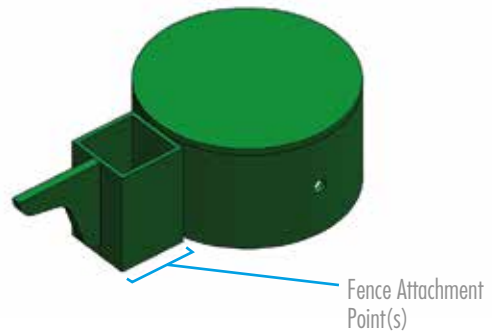
UNIQUE, QUICK AND LOW-COST

BALDASSAR FENCING CAN BE INSTALLED IN MINUTES WITH THE RING® FASTENER

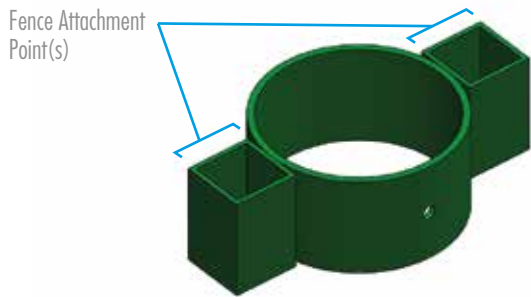
Double RING® - upper



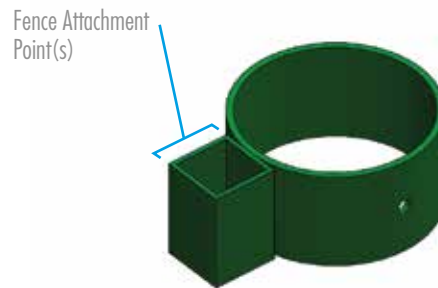
Single RING® - upper



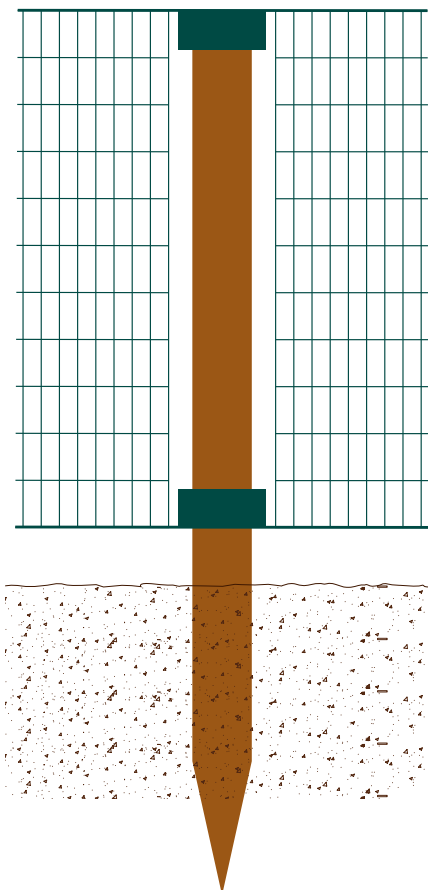
Double RING® - lower



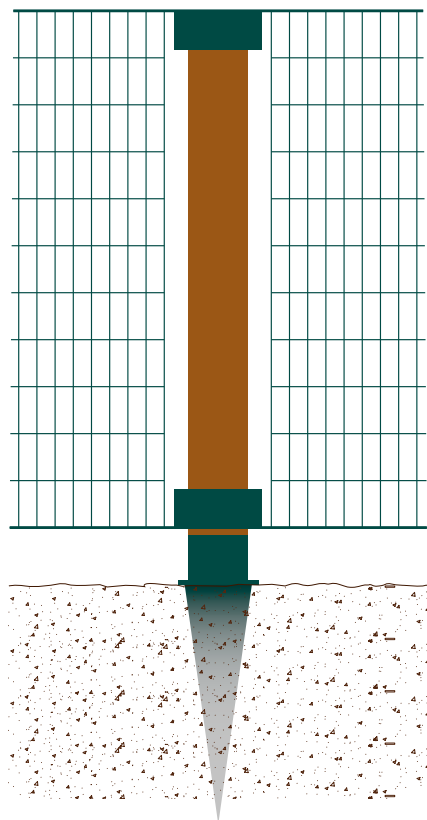
Single RING® - lower



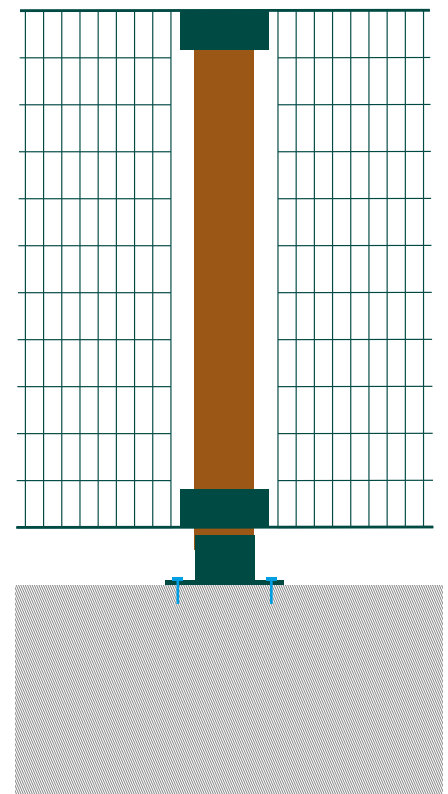
Ring® fastener and concrete-in wooden post



Ring® fastener and concrete-in base

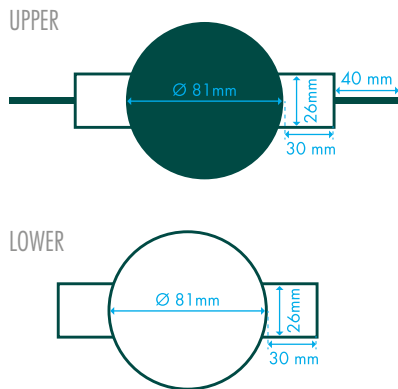


Ring® fastener and screw-on base

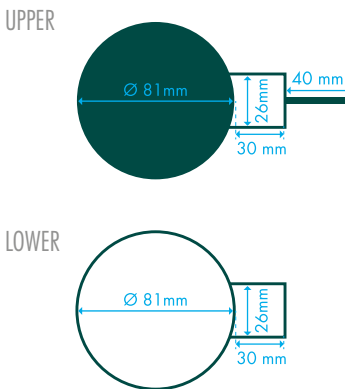


RING® FASTENER DIMENSIONS

DOUBLE *plan view*



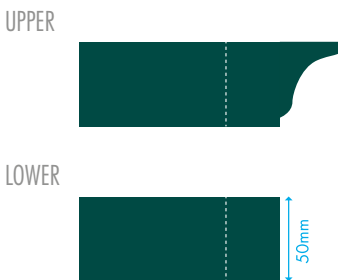
SINGLE *plan view*



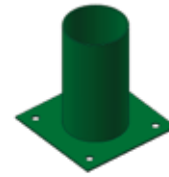
DOUBLE *side elevation*



SINGLE *side elevation*



ADDITIONAL ELEMENTS

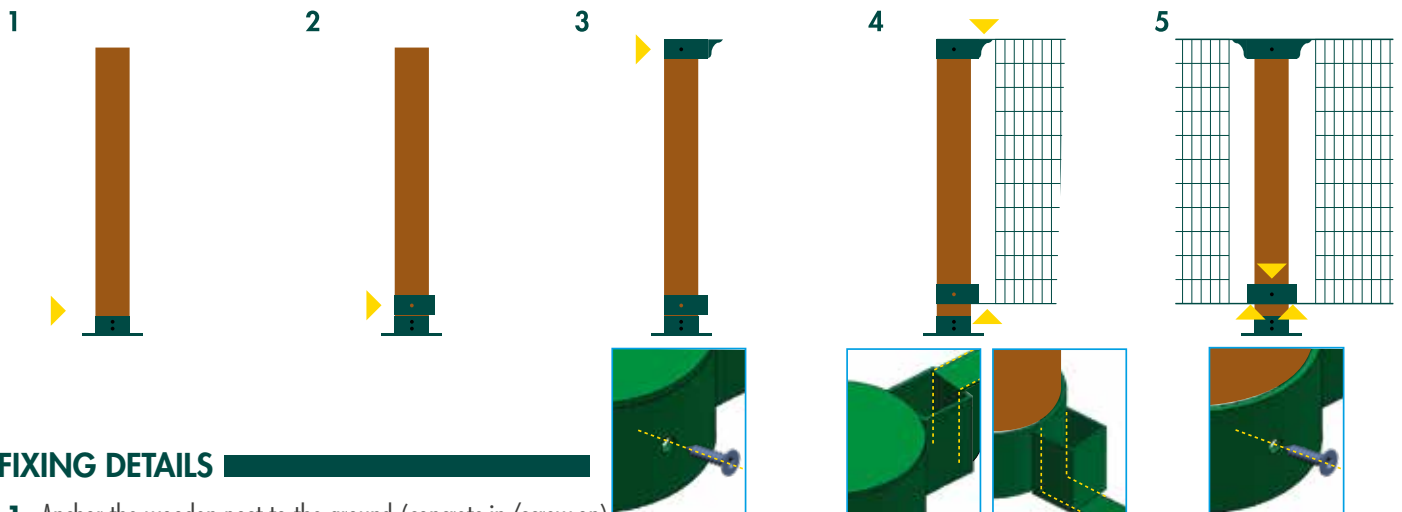


Screw-on
base



Concrete-in
base

MOUNTING SYSTEM



FIXING DETAILS

- 1 Anchor the wooden post to the ground (concrete-in/screw-on)
- 2 Insert the lower Ring® fastener (double or single)
- 3 Secure the upper Ring® fastener (double or single)
- 4 Attach the fence panel
- 5 Secure the lower Ring® fastener via the self-tapping screw

Grigliati Baldassar S.r.l.

Via E. Maiorana, 13 - 31025
Santa Lucia di Piave (TV) - Italy
Tel. (+39) 0438 450850
Fax (+39) 0438 450811
info@grigliatibaldassar.com
www.GrigliatiBaldassar.com