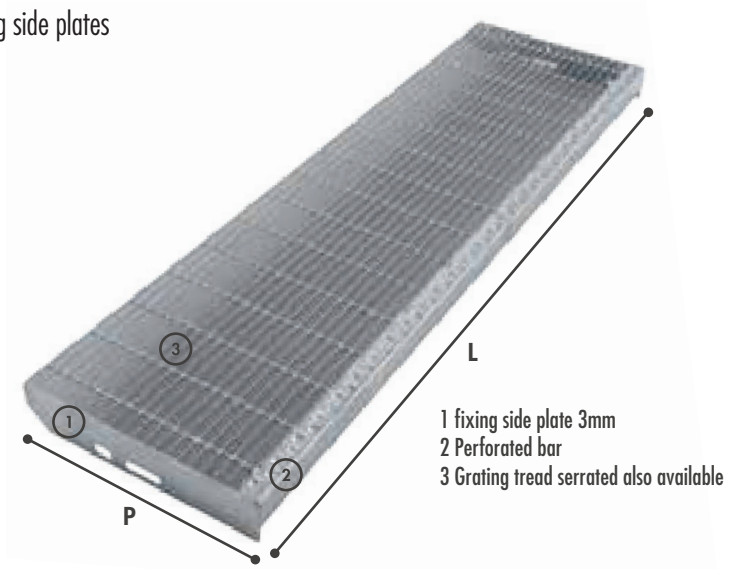
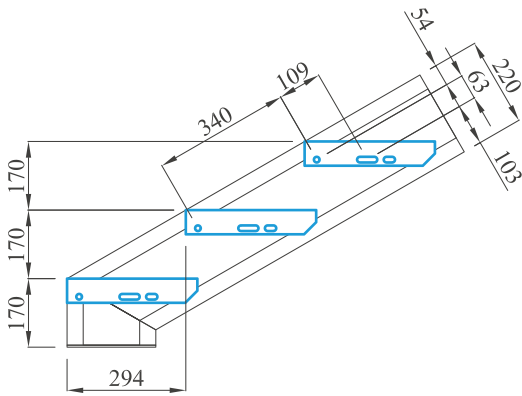
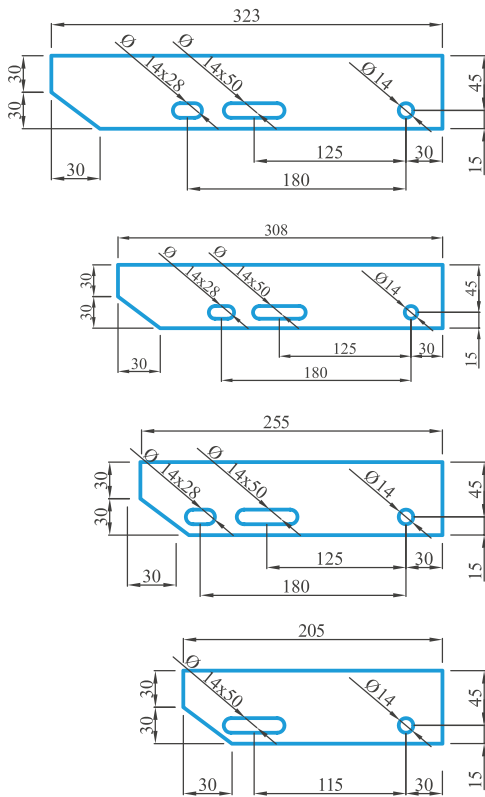


STANDARD STAIR TREADS with perforated front bar and fixing side plates



DRAWING DISTANCE BETWEEN HOLES



Dimensions L	P	Mesh mm	B.B. mm	Conn.	Galvan. kg/cad	Piece N. packaging
1000	308	15x76	25x2	○	10,2	30
1200	308		25x2	○	12,1	30
1000	308		30x2	○	11,9	30
PUBLIC USE	1200	323	*30x2	○	14,3	30
1000	308	25x76	25x2	○	7,2	30
900	255		25x2	○	5,4	30
800	255		25x2	○	5,1	30
700	255		25x2	○	4,5	30
600	255		25x2	○	3,8	30
600	205		25x2	○	3,2	30

*Steps suitable for the planned public load according to Standard UNI 11002-2 and D.M. 14/06/1989 236.